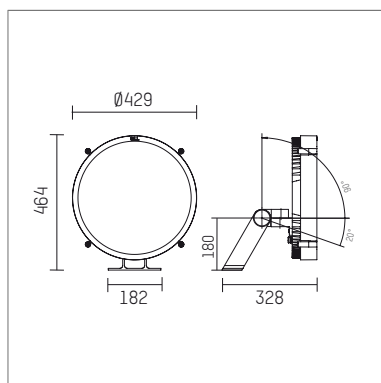




## 14L1250CNDE916 | silver

14L  
projector  
LED RGBW (4000K) | 250 W

|      |      |   |      |    |    |
|------|------|---|------|----|----|
| LED  | RGBW |   |      |    |    |
| DALI | IP65 |  | IK08 | CE | 5Y |



- projector 14L
- for wall-, ground and ceiling mounting
- power supply and mounting bracket must be ordered separately
- with LED RGBW (4000K)
- colour rendering index: CRI >80
- L80 / B10 (50.000h)
- net luminous flux: 13727 lm
- total load: 250 W
- luminous efficacy: 54,9 lm/W
- rotationsymmetrical light distribution, spot
- red:2557lm, green:4605lm, blue:1463lm
- beam angle: 13 °
- for external power supply, integrated control unit (DALI)
- 48V DC
- control ON/OFF, DALI
- secondary connection:
- with connection cable length 500mm and circular connector 4-pole (type: RST16i5 for 48V and DALI (Wieland))
- housing of die cast aluminium
- safety glass, clear
- length: 328 mm, width: 429 mm, height: 464 mm
- windage area: 0,15 m<sup>2</sup>
- weight: 9,823 kg
- protection rating: IP65
- protection class II
- 5 years Hoffmeister warranty
- designed and manufactured in Germany
- impact resistance class: IK08
- certificates: manufactured according to DIN VDE 0711 / EN 60598, CE
- colour: silver (RAL9006)
- 14L1250CNDE916

- Overview of accessories on the following page / s

14L1250CNDE916

**accessory****Required accessories**

| description accessory general   | dimensions in mm     | item number  | pic.-No. |
|---|----------------------|--------------|----------|
| LED power unit IP67, 48V / 320W<br>for projector 14L<br>for outdoor usage | LxWxH: 251 x 90 x 44 | 814L25000    | 01       |
| Pivoting bracket<br>for projector 14L                                     |                      | 814L0010H916 | 02       |
| Standard bracket<br>for projector 14L                                     |                      | 814L00100916 | 03       |

**Optional accessories**

| description accessory general   | dimensions in mm | item number  | pic.-No. |
|---------------------------------|------------------|--------------|----------|
| Screen 45°<br>for projector 14L |                  | 814L00545916 | 01       |

