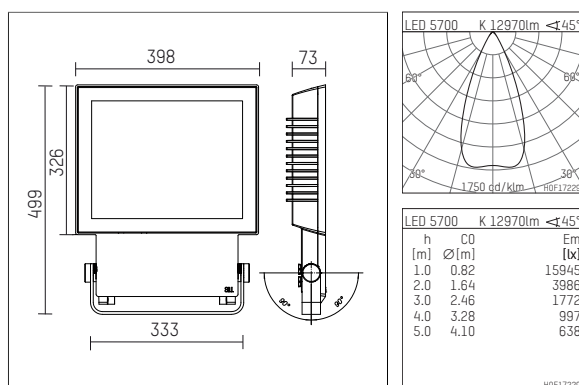
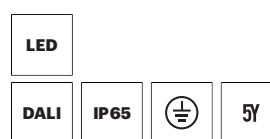




## 49L4140KWD | black

49L  
projector  
LED | 140 W 5700 K



- projector 49L
- for wall-, ground or pole-mounting
- with pivoting mounting bracket
- with LED 17850 lm
- colour temperature: 5700 K
- colour rendering index: CRI >70
- L80 / B10 (50.000h)
- SDCM < 3
- net luminous flux: 12970 lm
- total load: 140 W
- luminous efficacy: 92,6 lm/W
- rotationsymmetrical light distribution, flood
- beam angle: 44 °
- with built in LED power unit, electronic (DALI), 220-240 V, 0/50/60 Hz
- including thermal protection for driver and LED module
- overvoltage protection 6KV
- optional DC voltage suitable (AC/DC) - 15% power for operation in emergency lighting systems
- further dimming functions on request
- amplitude dimming
- dimming range: 100-10 %
- Number of luminaires per fuse (B16): 7
- power supply: connecting terminal 5x2,5 mm²
- 2xM20 cable gland for cables 8-12mm, mains loop-in loop-out capable
- corrosion resistant aluminium housing AlSi12
- safety glass, clear
- length: 499 mm, width: 398 mm, height: 73 mm
- ± 90° tiltable
- windage area: 0,18 m²
- weight: 12,2 kg
- protection rating: IP65
- protection class I
- 5 years warranty
- designed and manufactured in Germany
- minimum ambient temperature: -40 ° C
- maximum ambient temperature: 55 ° C
- certificates: manufactured according to DIN VDE 0711 / EN 60598
- colour: black (RAL9005)
- 49L4140KWD

- Overview of accessories on the following page / s

49L4140KWD  
accessory

## Optional accessories

| description accessory general                                                                                                           | dimensions in mm | item number    | pic.-No. |
|-----------------------------------------------------------------------------------------------------------------------------------------|------------------|----------------|----------|
| Wire guard<br>for projector 49L and 48 L                                                                                                |                  | 849L00100      | 01       |
| Adjustable screen-doors with opening blades<br>for projector 49L                                                                        |                  | 849L00600      | 02       |
| Four-sided screen<br>for projector 49L and 48L                                                                                          |                  | 849L00200      | 03       |
| Horizontal screen, with adjustable blades<br>for projector 49L and 48L                                                                  |                  | 849L00300      | 04       |
| Vertical screen, with adjustable blades<br>for projector 49L and 48L                                                                    |                  | 849L00400      | 05       |
| Three-sided screen<br>for projector 49L und 48L                                                                                         |                  | 849L00500      | 06       |
| honeycomb louver<br>for projector 49L and 48L                                                                                           |                  | 849L02000      | 07       |
| frosted glass, for diffusing<br>for projector 49L and 48L                                                                               |                  | 849L02100      | 08       |
| Clear glass partially frosted, for diffusing the upper or lower part of light<br>emission<br>for projector 49L and 48L                  |                  | 849L02200      | 09       |
| Grooved glass horizontal, type 555 B<br>for projector 49L und 48L                                                                       |                  | 849L02300      | 10       |
| Grooved glass vertical, type 555 B<br>for projector 49L and 48L                                                                         |                  | 849L02400      | 11       |
| Structured glass Albarino S, Fine structure for diffusion, light transmission<br>91,5%<br>for projector 49L and 48L                     |                  | 849L02600      | 12       |
| Conversion filter daylight, Raises the colour temperature from 3000K to 4450K<br>and from 5700K to 14.500K<br>for projector 49L and 48L |                  | 849L03200      | 13       |
| Conversion filter neutral, Raises the colour temperature from 3000K to 3650K<br>for projector 49L and 48L                               |                  | 849L03100      | 14       |
| Conversion filter warm, Lowers the colour temperature from 3000K to 2600K<br>for projector 49L and 48L                                  |                  | 849L03000      | 15       |
| Mounting bracket, vibration damping<br>for projector 49L and 48L                                                                        |                  | 849L01000      | 16       |
| Wall outrigger arm, L=0,5m<br>for projector series 49L and 48L                                                                          |                  | 849400500      | 17       |
| Column outrigger arm, for column diameters 80-120 mm<br>for projector 49L and 48L                                                       |                  | 849400700      | 18       |
| Column clamp stainless steel v2a / hot galvanized, for column diameters<br>115-120 mm                                                   |                  | 855500 200-120 | 19       |
| Column clamp stainless steel v2a / hot galvanized, for column diameters<br>150-170 mm                                                   |                  | 855500 200-170 | 19       |
| Column clamp stainless steel v2a / hot galvanized, for column diameters 55-60<br>mm                                                     |                  | 855500 200-60  | 19       |
| Column clamp stainless steel v2a / hot galvanized, for column diameters 60-89<br>mm                                                     |                  | 855500 200-89  | 19       |
| Column clamp stainless steel v2a / hot galvanized, for column diameters 85-92<br>mm                                                     |                  | 855500 200-92  | 19       |

## 49L4140KWD accessory

