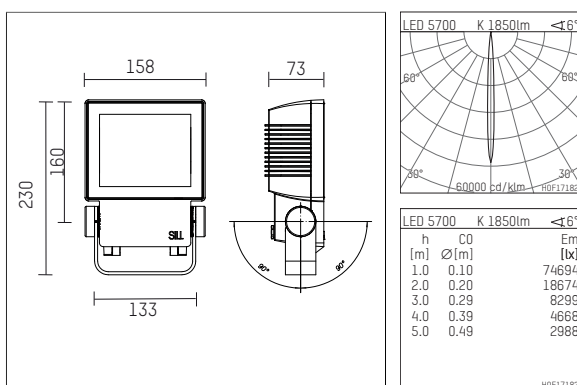




## 49S1030KWD | black

49S  
projector  
LED | 30 W 5700 K



- projector 49S
- for wall-, ground or pole-mounting
- with pivoting mounting bracket
- with LED 2600 lm
- colour temperature: 5700 K
- colour rendering index: CRI >70
- L80 / B10 (50.000h)
- SDCM < 3
- net luminous flux: 1850 lm
- total load: 30 W
- luminous efficacy: 61,7 lm/W
- rotationsymmetrical light distribution, narrow spot
- beam angle: 6 °
- with built in LED power unit, electronic (DALI), 220-240 V, 0/50/60 Hz
- amplitude dimming
- dimming range: 100-1 %
- Number of luminaires per fuse (B16): 50
- power supply: connecting terminal 5x2,5 mm²
- M16 cable gland for cables 6-8mm
- corrosion resistant aluminium housing AISi12
- safety glass, clear
- length: 230 mm, width: 158 mm, height: 73 mm
- ± 90° tiltable
- windage area: 0,03 m²
- weight: 2,4 kg
- protection rating: IP65
- protection class I
- 5 years Hoffmeister warranty
- designed and manufactured in Germany
- minimum ambient temperature: -25 ° C
- maximum ambient temperature: 40 ° C
- impact resistance class: IK09
- certificates: manufactured according to DIN VDE 0711 / EN 60598
- colour: black (RAL9005)
- 49S1030KWD

- Overview of accessories on the following page / s

49S1030KWD  
accessory

## Optional accessories

| description accessory general  | dimensions in mm | item number    | pic.-No. |
|--|------------------|----------------|----------|
| Four-sided screen<br>for projector 49S and 48S   |                  | 849S00200      | 01       |
| Horizontal screen, with adjustable blades<br>for projector 49S and 48S   |                  | 849S00300      | 02       |
| Vertical screen, with adjustable blades<br>for projector 49S and 48S   |                  | 849S00400      | 03       |
| Three-sided screen<br>for projector 49S and 48S  |                  | 849S00500      | 04       |
| frosted glass, for diffusing<br>for projector 49S and 48S  |                  | 849S02100      | 05       |
| Clear glass partially frosted, for diffusing the upper or lower part of light<br>emission<br>for projector 49S and 48S |                  | 849S02200      | 06       |
| Structured glass Albarino S, Fine structure for diffusion, light transmission<br>91,5%<br>for projector 49S and 48S    |                  | 849S02600      | 07       |
| Conversion filter neutral, Raises the colour temperature from 3000K to 3650K<br>for projector 49S and 48S              |                  | 849S03100      | 08       |
| Conversion filter warm, Lowers the colour temperature from 3000K to 2600K<br>for projector 49S and 48S                 |                  | 849S03000      | 09       |
| Column mounting bracket black, for column diameters 80-120 mm<br>for projector 49S/49M and 48S/48M                     |                  | 849000700      | 10       |
| Wall outrigger arm, L=0,5m<br>for projector 49S/49M and 48S/48M  |                  | 849000500      | 11       |
| Mounting bracket, vibration damping<br>for projector 49S and 48S   |                  | 849S01000      | 12       |
| Column clamp stainless steel v2a / hot galvanized, for column diameters<br>115-120 mm                                  |                  | 855500 200-120 | 13       |
| Column clamp stainless steel v2a / hot galvanized, for column diameters<br>150-170 mm                                  |                  | 855500 200-170 | 13       |
| Column clamp stainless steel v2a / hot galvanized, for column diameters 55-60<br>mm                                    |                  | 855500 200-60  | 13       |
| Column clamp stainless steel v2a / hot galvanized, for column diameters 60-89<br>mm                                    |                  | 855500 200-89  | 13       |
| Column clamp stainless steel v2a / hot galvanized, for column diameters 85-92<br>mm                                    |                  | 855500 200-92  | 13       |
| Ground Spike, L=300mm<br>for projector series 49S/M and 48S/M  |                  | 849000900      | 14       |
| Grooved glass horizontal, type 555 B<br>for projector 49S and 48S  |                  | 849S02300      | 15       |
| Grooved glass vertical, type 555 B<br>for projector 49S und 48S  |                  | 849S02400      | 16       |



49S1030KWD  
**accessory**

